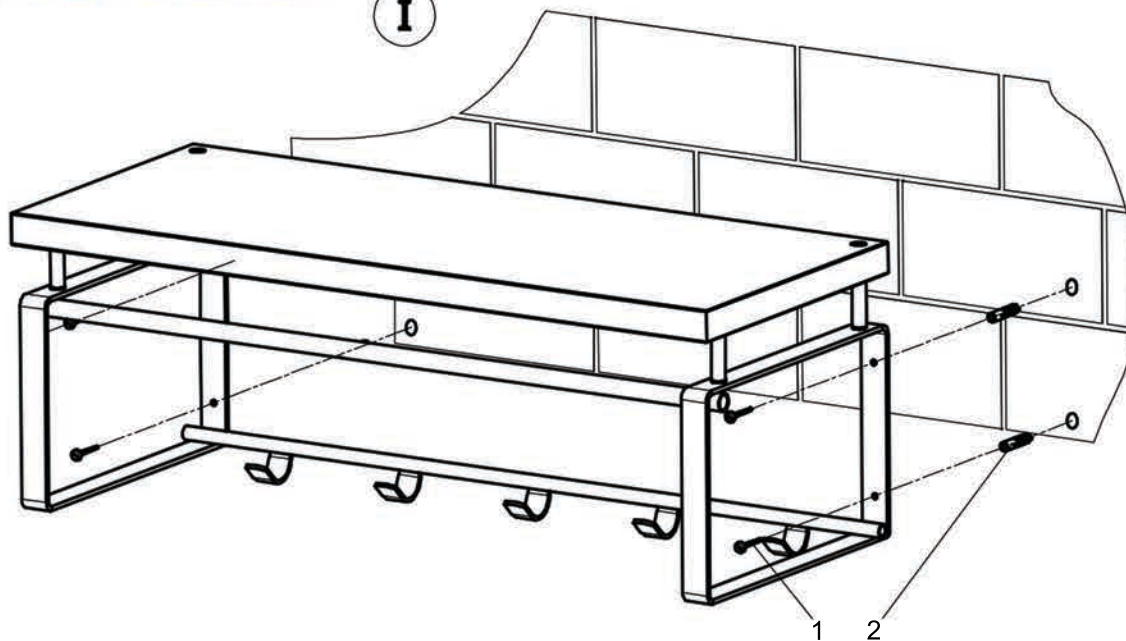
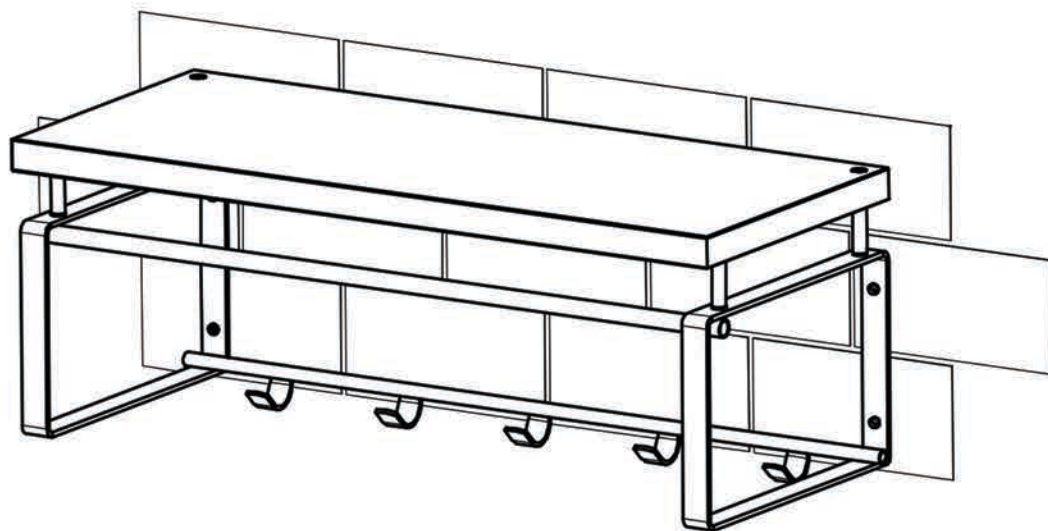


SPINDER DESIGN

I



II



①



ø4.2 x 38

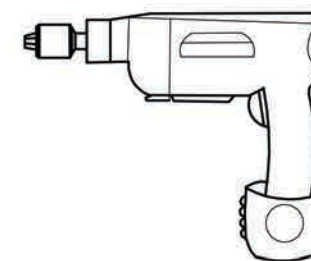
= 4

②



ø6 x 30

= 4



ø6 - 150



PH 2

