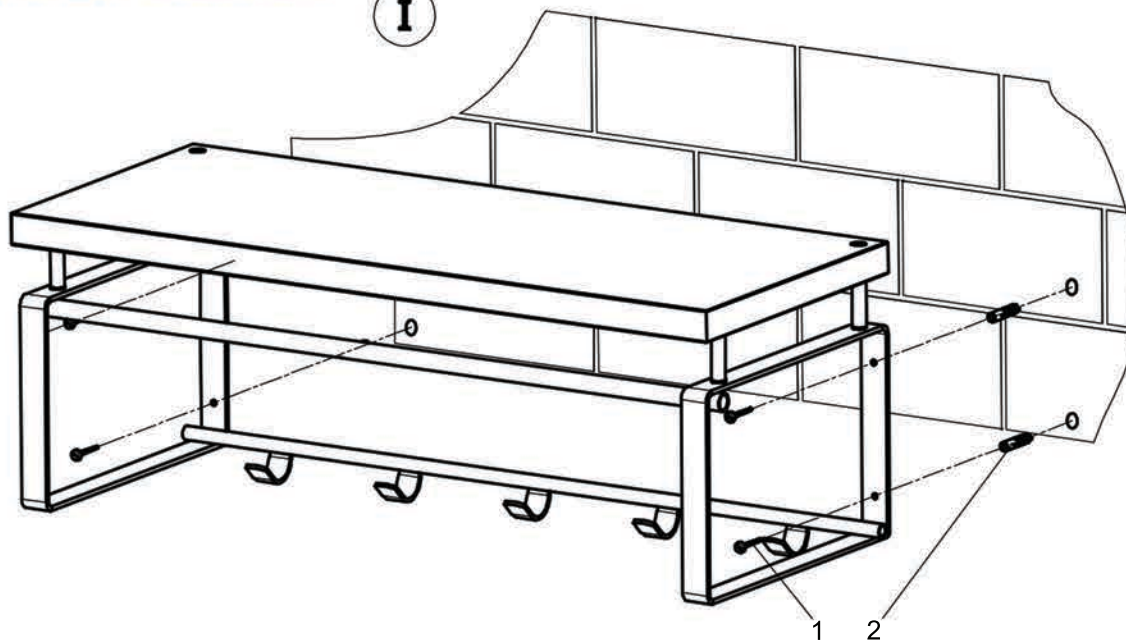
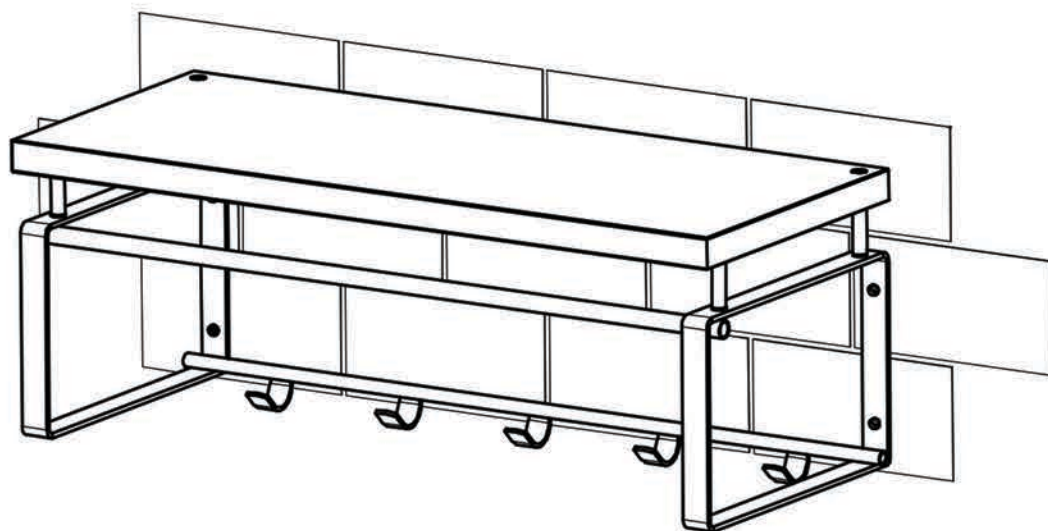


SPINDER DESIGN

I



II



①



= 4

②



= 4

